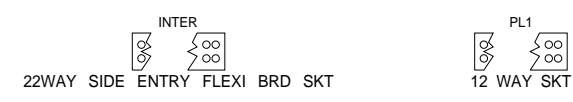


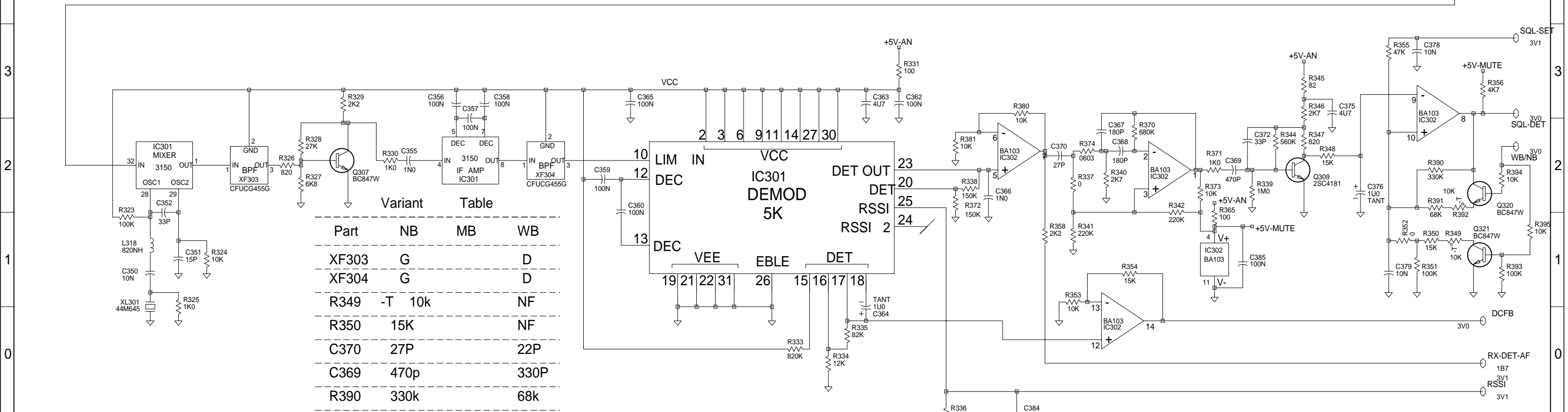
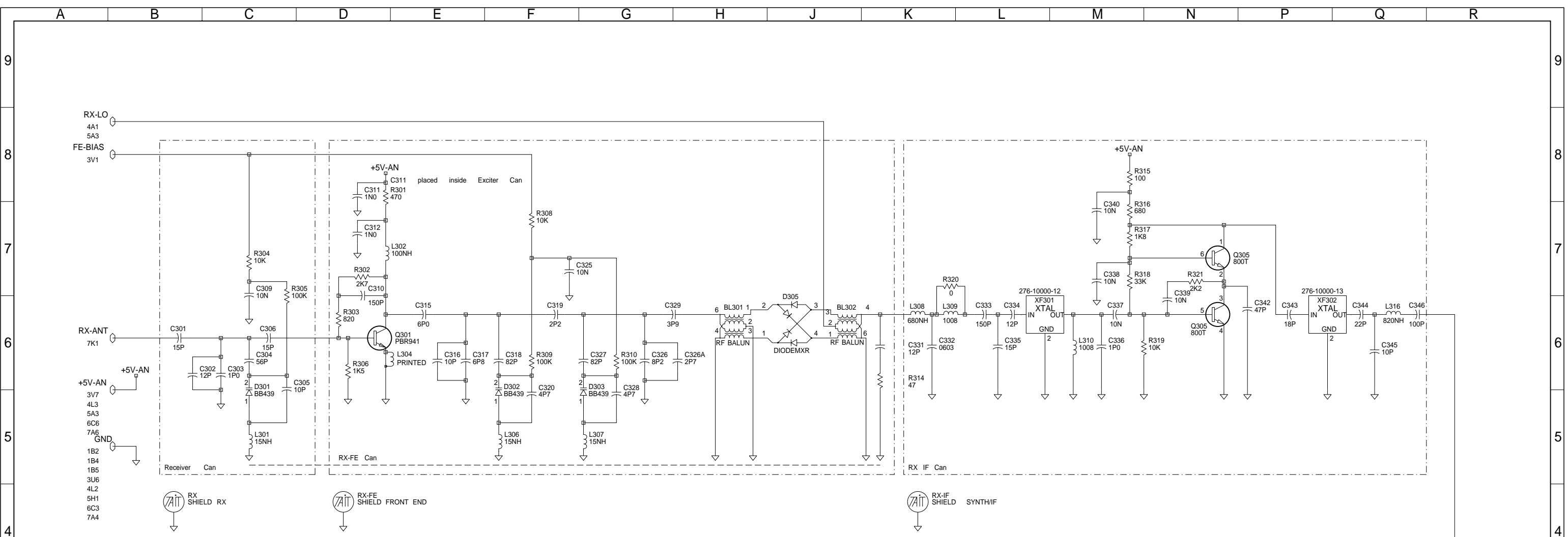
REV/ISS	AMENDMENTS	DRAWN	CHKD	D.O.	APVD	DATE	REV/ISS	AMENDMENTS	DRAWN	CHKD	D.O.	APVD	DATE
05B	DIG SHIELD. CCO# 1503-011				CM	03/02/00							
05A	CCO NO. 1503-004/005/006/007				BRD	04/11/99							
04B	CHANGES AS PER 1503/001				BRD	20/08/99							
03B	ADJUSTED T-CU AS PER PENTEX				BRD	03-06-99							
03A	UPDATE ALC AND AFC				BRD	17-05-99	07B	CCO. NO. 1503-015					19-02-01
02A	SEE NOTES FILE FOR CHANGES				BRD	10/02/99	07A	COMP OBSOLESENC CCO.1503-013					03-11-00
08	UPDATED MUTE CIRCUITRY				DBH		06A	COMPONENT OBS. CCO NO. 1503-012					06-04-00

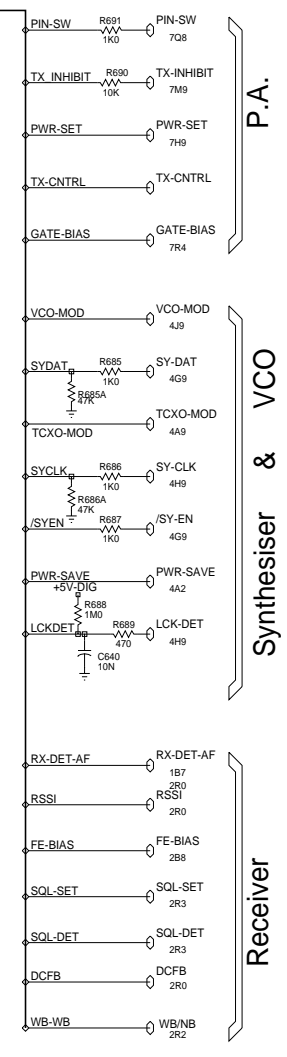
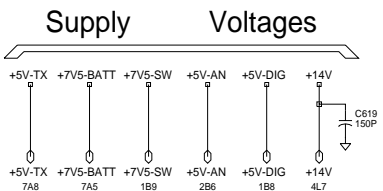
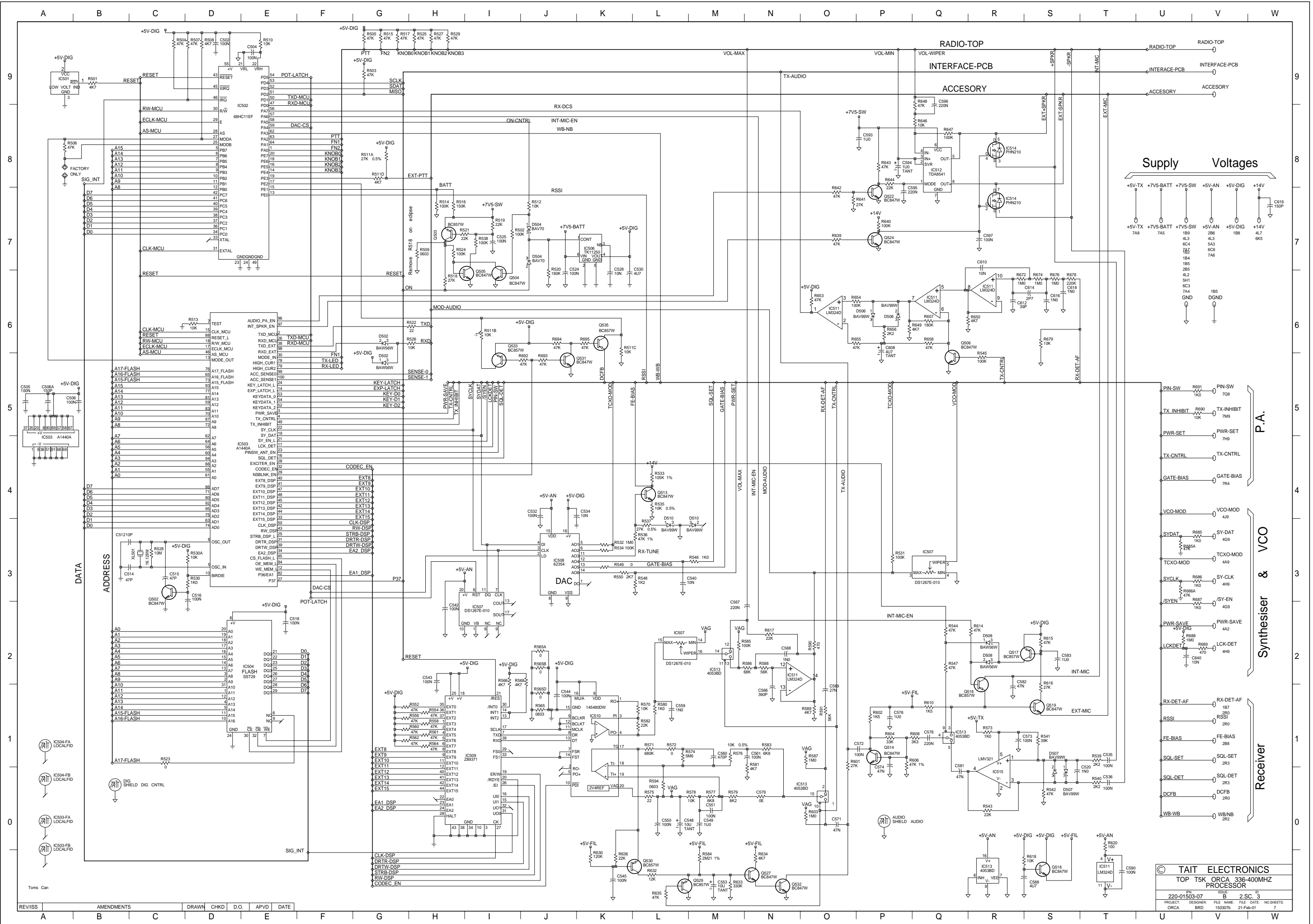


© TAIT ELECTRONICS
 TOP T5K ORCA 336-400MHZ
 SYSTEM DIAGRAM

IPN: 220-01503-07
 ISSUE: B
 ID: 2.S.C. 1

PROJECT: ORCA BRD
 DESIGNER: 150307b
 FILE NAME: 21-Feb-01
 DATE: 7

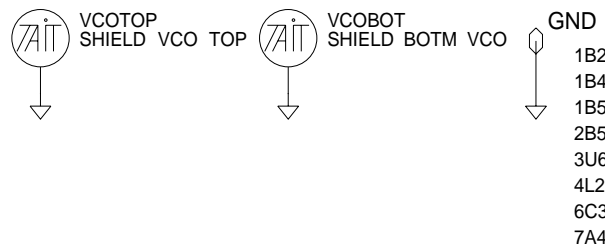
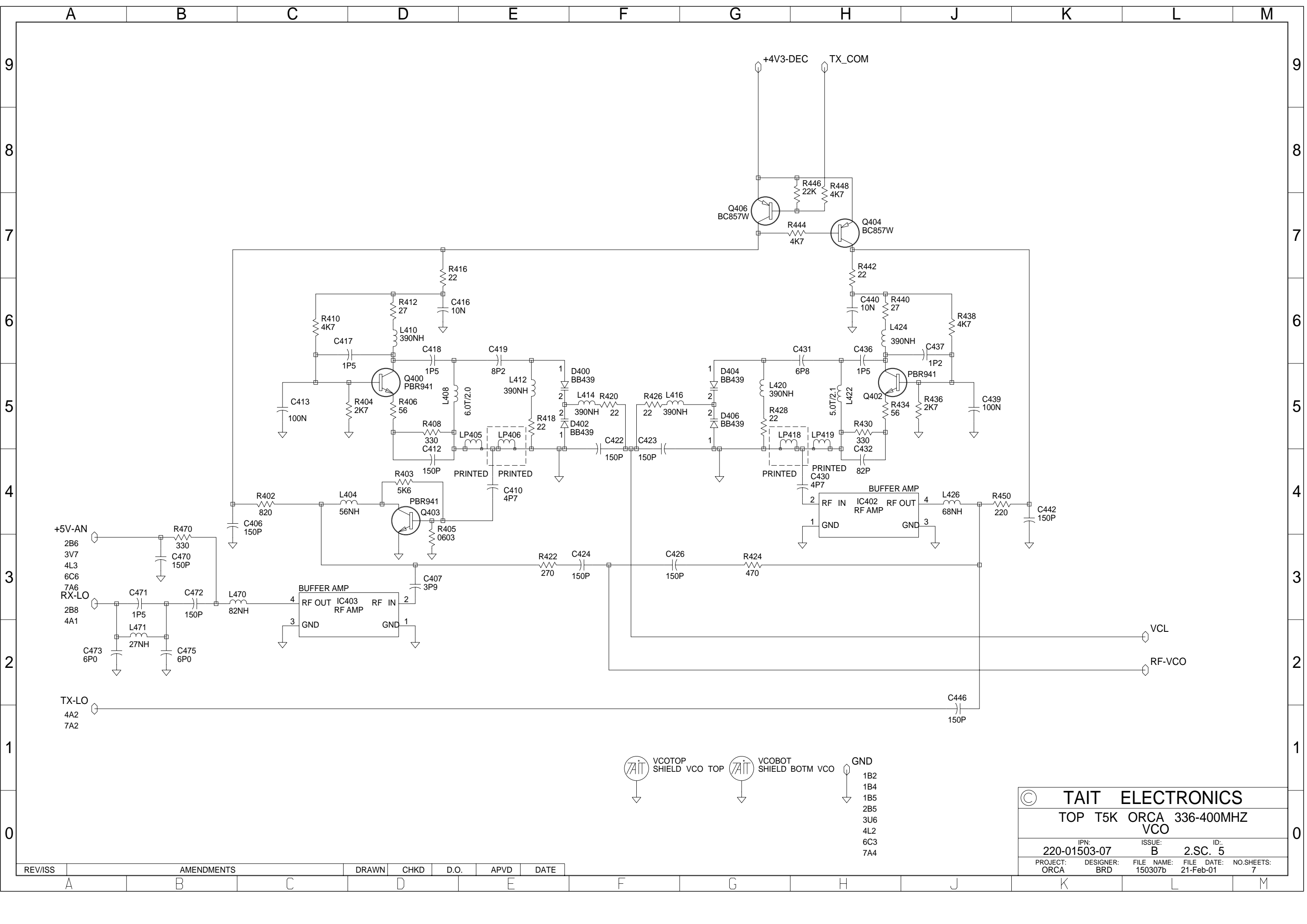




© TAIT ELECTRONICS			
TOP T5K ORCA 336-400MHZ PROCESSOR			
REV/ISS	AMENDMENTS	DRAWN	CHKD
A	B	C	D
DATE		DATE	
220-01503-07		2-SC-3	
ORCA BRD		150307b 21-Feb-01	

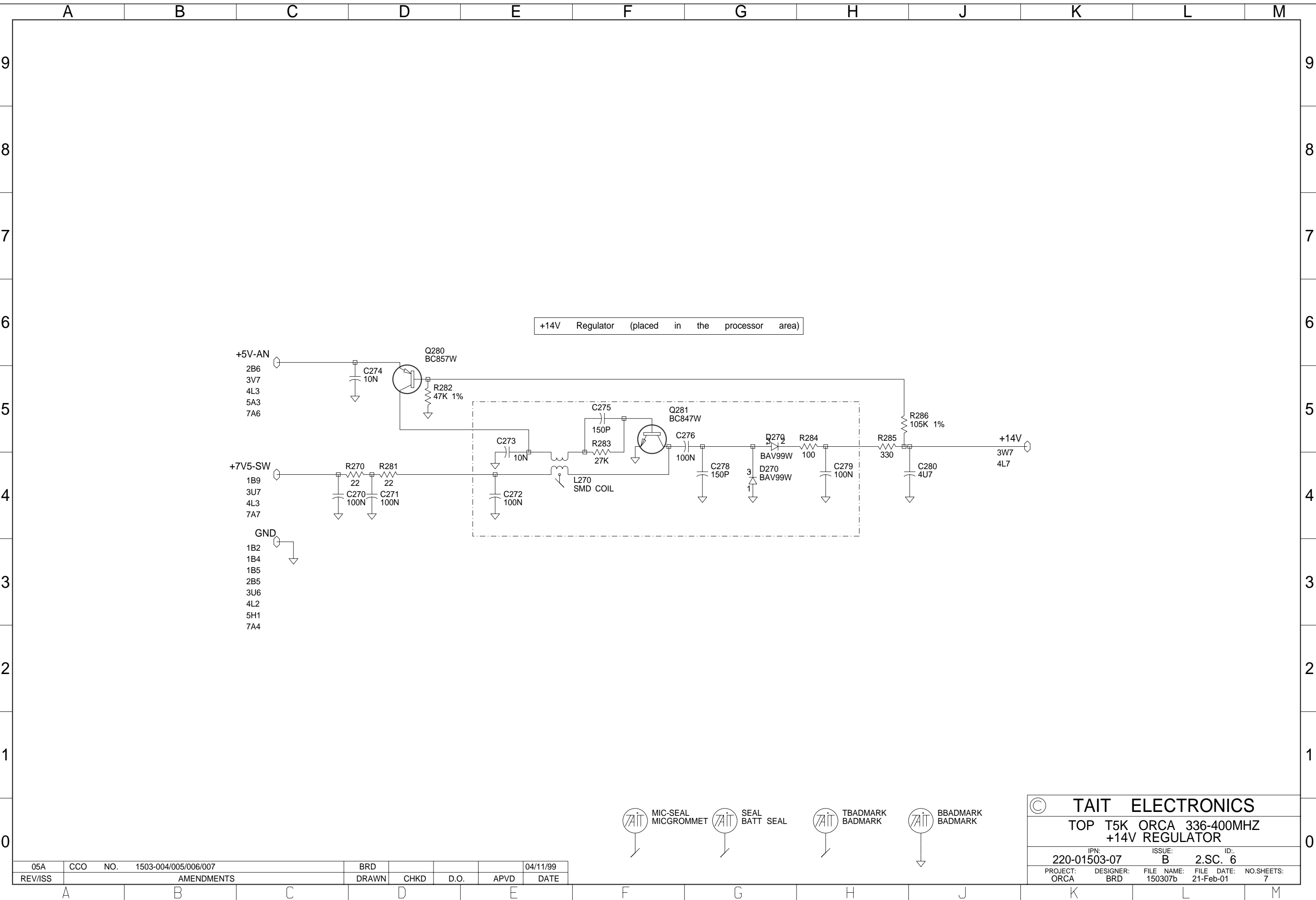
REV/ISS	AMENDMENTS	DRAWN	CHKD	D.O.	APVD	DATE
A	B	C	D	E	F	G

Toms Can

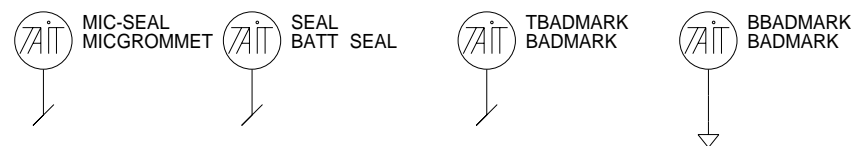
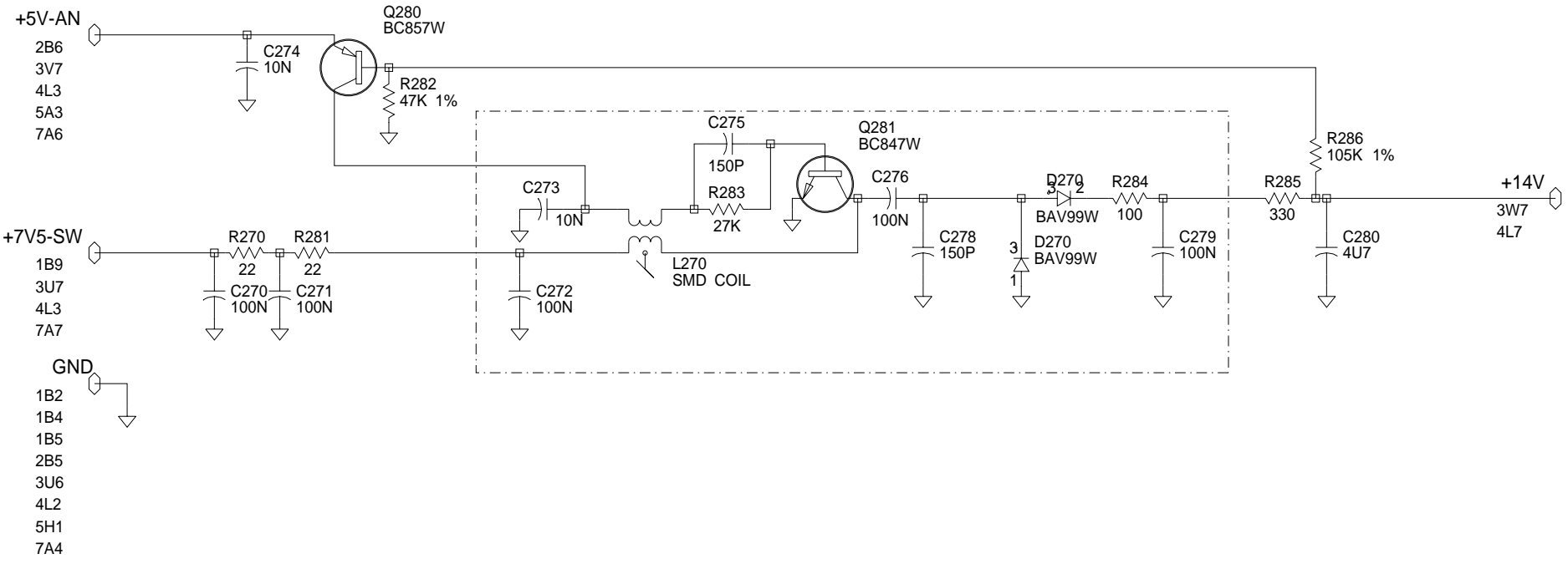


© TAIT ELECTRONICS				
TOP T5K ORCA 336-400MHZ VCO				
IPN:	ISSUE:	ID:		
220-01503-07	B	2.SC. 5		
PROJECT:	DESIGNER:	FILE NAME:	FILE DATE:	NO.SHEETS:
ORCA	BRD	150307b	21-Feb-01	7

REV/ISS	AMENDMENTS	DRAWN	CHKD	D.O.	APVD	DATE

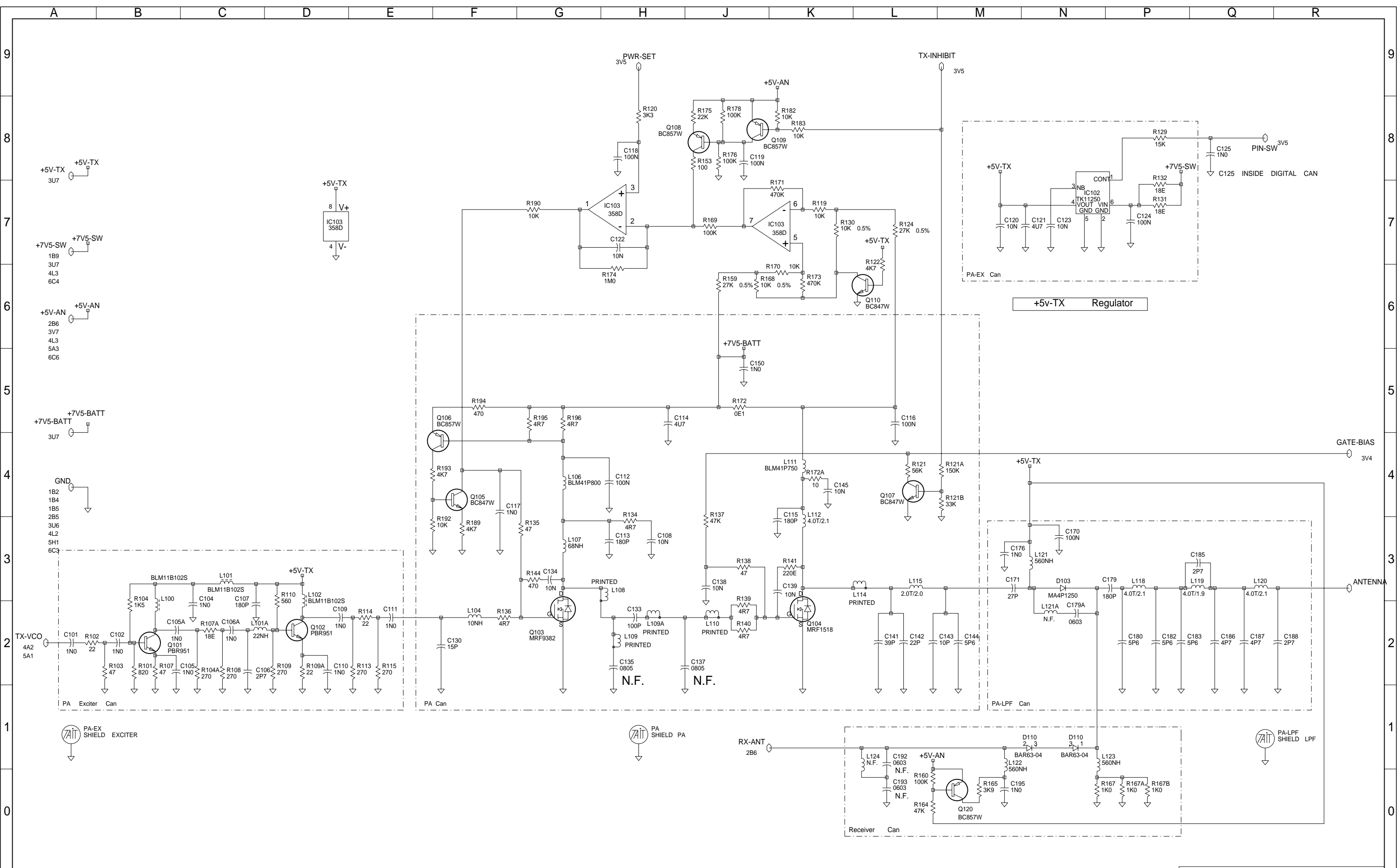


+14V Regulator (placed in the processor area)



© TAIT ELECTRONICS	
TOP T5K ORCA 336-400MHZ +14V REGULATOR	
IPN: 220-01503-07	ISSUE: B
ID: 2.SC. 6	
PROJECT: ORCA	DESIGNER: BRD
FILE NAME: 150307b	FILE DATE: 21-Feb-01
NO.SHEETS: 7	

05A	CCO	NO. 1503-004/005/006/007	BRD				04/11/99
REV/ISS	AMENDMENTS		DRAWN	CHKD	D.O.	APVD	DATE



© TAIT ELECTRONICS
 TOP T5K ORCA 336-400MHZ
 LOWCOST T3010
 IPN: 220-01503-07 ISSUE: B ID: 2.S.C. 7
 PROJECT: ORCA DESIGNER: BRD FILE NAME: 150307b FILE DATE: 21-Feb-01 NO.SHEETS: 7

REV/ISS	AMENDMENTS	DRAWN	CHKD	D.O.	APVD	DATE
A	B	C	D	E	F	G